

INDUSTRIAL CYLINDER HEATED DRYING IRONER WITH INTEGRATED FEEDING AND LENGTH FOLDING

I
RANGE

IFF 50

500MM



ERGONOMICAL
CONSTRUCTION



GLOBAL
IRONING
SOLUTION



ONE
OPERATOR
ONLY



CROSSFOLDER



STACKER



FEATURES

- Large surface contact with linen overan angle of 3000
- Finger protection and emergency button for more safety
- Durable Meta Aramid ironing belts
- Automatic cooldown
- Easy to operate microprocessor: 20 pre-set ironing programmes
- Indication of ironing speed and temperature
- Reverse mode possible
- Variable setups for folding

- Built-in feeding and length folding system
- Frequency controlled motor
- Easy to remove lint filters
- Standard anti-static bar
- Easyfold® system requires less maintenance (no ribbons and rolls)
- Electric, gas or steam heating

OPTIONS

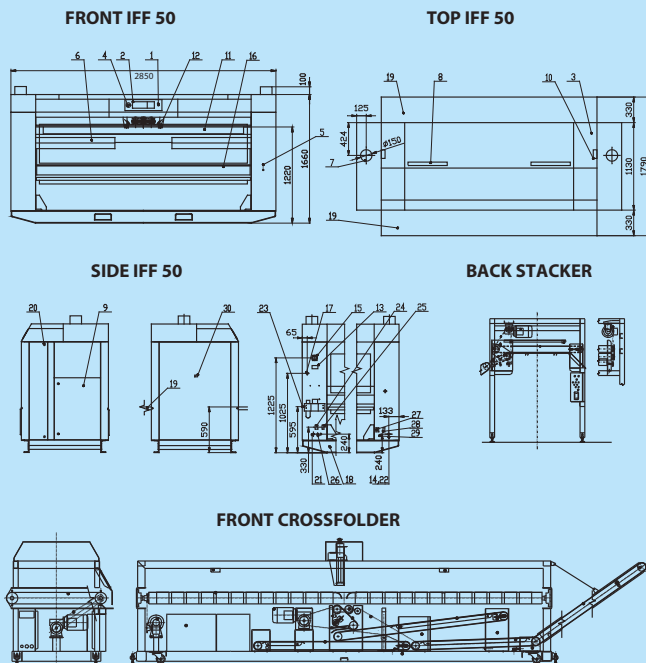
- Crossfolder and stacker
- Chrome-plated cylinder for a better thermal conduction

GET AHEAD IN LAUNDRY 



PT. TRIGLOBAL MANDIRI INDONESIA
Laundry Machines Contractors and Supplier

| TYPE | | IFF50-200 | IFF50-250 | IFF50-320 |
|------------------------------------|--|-------------------------------|----------------|----------------|
| ROLLER DIAMETER | mm | 500 | 500 | 500 |
| USEFUL ROLLER LENGTH | mm | 2000 | 2600 | 3200 |
| HEATING | | | | |
| Electric heating | kW | 38 | 72 | - |
| Gas heating | kW | 36 | 52 | 66 |
| Steam heating | kg/h | 49 | 68 | 88 |
| MOTORS | | | | |
| Roller motor | kW | 0,98 | 1,2 | 1,2 |
| Fan motor | kW | 0,18/0,255 | 2x0,18/0,255 | 2x0,18/0,255 |
| IRONING CAPACITY* | | | | |
| Electrical & Gas heating | kg/h | 80 | 95 | 120 |
| Steam heating | kg/h | 95 | 115 | 145 |
| RESIDUAL MOISTURE | % | 40 | 40 | 40 |
| ROLLER SPEED | m/min. | 1,5-8 | 1,5-8 | 1,5-8 |
| ELECTRIC CONNECTION | 3x380-415V+N 50/60Hz, 3x208-240V 50/60Hz | | | |
| COMPRESSED AIR CONNECTION** | inch | exterior: 1/2 - interior: 1/4 | | |
| DIMENSIONS | | | | |
| Ironer HxWxD unpacked | mm | 1760x2850x1320 | 1760x3450x1320 | 1760x4050x1320 |
| Crossfolder HxWxD unpacked | mm | - | 1010x3500x870 | 1010x4100x870 |
| Stacker HxWxD unpacked | mm | - | 1300x2754x1220 | 1300x2754x1220 |
| TRANSPORT DATA | | | | |
| Ironer Net/gross weight | kg | 1720/1990 | 2180/2460 | 2400/2770 |
| Ironer HxWxD packed | mm | 2090x2990x1450 | 2090x3590x1450 | 2090x4190x1450 |
| Crossfolder net/gross | kg | - | 515/760 | 560/810 |
| Crossfolder HxWxD packed | mm | - | 1390x3730x1050 | 1390x4330x1050 |
| Stacker net/gross | kg | - | 290/490 | 290/490 |
| Stacker HxWxD packed | mm | - | 1575x3050x1250 | 1575x3050x1250 |



1. Feeder button
2. Control panel
3. Upper cover
4. Emergency stop
5. Handle of manual drive
6. Telescopic brushes
7. Exhaust ventilation
8. Filter
9. Electric distributor
10. Suspension eyes
11. Feeding belts
12. Feeder
13. Production label
14. Condense drain (version „S“)
15. Main switch
16. Front trough
17. Steam supply (version „S“)
18. External protective connector
19. Folding table
20. Side cover lock
21. Main power supply
22. Gas supply (version „G“)
23. Pressure air supply
24. Power supply connector for the cross folder
25. Connector for control cable for the cross folder
26. Pressure air connector for the cross folder
27. Power supply connection for the stacker
28. Control cable connection for the stacker
29. Pressure air connection for the stacker
30. Sight glass of burner (version „G“)

The Primus preserves the right to change the machines and the specification in this leaflet at any time, without prior notice. Details and photographs are only for information and never binding.

www.primuslaundry.com

Primus by Alliance Laundry Systems

