

EXPORT MODEL  
**MDE/MDG28PN**  
SUPER-CAPACITY DRYER



### MICROPROCESSOR CONTROLS

- Provides simple programming options for owner: including adjustable cycle price, cycle time, diagnostics and vend count.
- Easy one-touch cycle selection for customers.



### TURBOVENT™ DRYER TECHNOLOGY

- Additional blower wheel provides exceptional performance in long vents.
- High airflow reduces dry time.



### PORCELAIN-ENAMEL TOP

- Durable finish for high-use environments.



### MAYTAG CONNECT 360°™ COMPATIBLE

- Delivers real-time machine diagnostics to any tablet, computer or smartphone via the cloud. Management and feedback features offer owners the ultimate in machine control keeping you informed regarding pricing, service and diagnosis from anywhere you have access to the Internet.



### 5-YEAR LIMITED WARRANTY

- All parts are covered for 5 years.\*



\*See [maytagcommerciallaundry.com](http://maytagcommerciallaundry.com) for complete warranty for details.



SIMPLE PROGRAMMING



FRONT ACCESS PANEL



ONE-TOUCH CYCLE SELECTION



MATCHING WASHER AVAILABLE



Visit [maytagcommerciallaundry.com](http://maytagcommerciallaundry.com) or call **800-662-3587**

## OUR COMMITMENT TO DEPENDABLE QUALITY

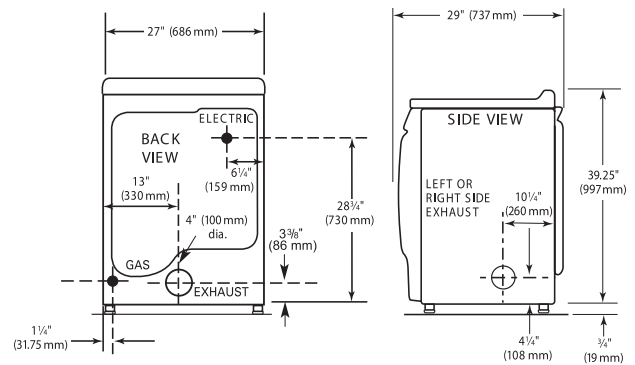
For well over 50 years, Maytag® Commercial Laundry has promised and delivered dependability. We create that quality by making durable washers and dryers, built to endure heavy use and last for years. We design our machines to perform reliably and to produce consistent results. Finally, we give our washers and dryers the power to do their jobs thoroughly, cleaning and drying laundry quickly and efficiently—and justifying the trust that has been placed in us for generations.

## MAYTAG® SUPER-CAPACITY DRYER

MICROPROCESSOR CONTROLS, CARD READER-READY OR NON-COIN OPERATION

DRYER SPECIFICATIONS	
<b>EXPORT MODEL</b>	<b>MDE/MDG28PN</b>
<b>MOTOR</b>	
Single-phase, thermoprotected against overload, auto-reset	Yes
HP (kw)	1/3 (.25)
Tumble speed—RPM	50 ± 1
<b>CAPACITY</b>	
Cu. ft. (liters)	6.7 (190)
<b>AIRFLOW</b>	
Gas models—cfm (cmm)	230 (6.5)
Electric models—cfm (cmm)	215 (6.1)
<b>SOUND LEVEL (export model only)</b>	
Sound pressure level, Lpa (dba) (Kpa: ± 10dba)	58
<b>ELECTRICAL REQUIREMENTS</b>	
Export models—voltage	220–240V/50Hz
<b>BREAKER/FUSE MIN. REQUIREMENTS</b>	
MDE export model—amps	25
MDG export model—amps	10
<b>ELECTRIC HEATING ELEMENT</b>	
Export models—watts	4,600
<b>GAS RATING</b>	
MDG export model—BTU/hr. (kcal/hr.)	20,000 (5,040)
<b>EXHAUST DUCT DIAMETER—IN. (MM)</b>	
	4 (100)*
<b>ELECTRONIC BURNER IGNITION</b>	
MDG model	Yes
<b>GAS INLET</b>	
MDG model—in.	3/8 N.P.T.
<b>ADJUSTABLE LEVELING LEGS</b>	
	Yes
<b>APPROXIMATE WEIGHT</b>	
Crated—lbs. (kg) electric/gas	144 (65)/147 (67)
Uncrated—lbs. (kg) electric/gas	133 (60)/136 (62)
<b>DIMENSIONS</b>	
Width—in. (mm)	27 (686)
Depth—in. (mm)	29 (737)
Height—in. (mm)	39.25 (997)
Door opening diameter—in. (mm)	18.25 (464)
<b>OPTIONAL PEDESTAL ADDS:</b>	
Height—in. (mm)	2.75 (70)
*Use 4" (100 mm) diameter rigid aluminum or galvanized steel duct. Never use plastic, non-metal or combustible duct. See specific instructions for proper installation. Because of continuous product improvement, Maytag reserves the right to change specifications without notice.	

# EXPORT MODEL MDE/MDG28PN SUPER-CAPACITY DRYER



### MAXIMUM EXHAUST DUCT LENGTH PER NUMBER OF TURNS

Number Of 90° Turns	Rigid Metal Vent	
	Box Hood and Louvered Style	Angled Hood Style
0	135 ft. (41.2 m)	129 ft. (39.3 m)
1	125 ft. (38.1 m)	119 ft. (36.3 m)
2	115 ft. (35.1 m)	109 ft. (33.2 m)
3	106 ft. (32.3 m)	100 ft. (30.5 m)
4	98 ft. (29.9 m)	92 ft. (28.0 m)
	Flexible Metal Vent	
	Box Hood and Louvered Style	Angled Hood Style
0	76 ft. (23.2 m)	62 ft. (18.9 m)
1	71 ft. (21.6 m)	57 ft. (17.4 m)
2	67 ft. (20.4 m)	53 ft. (16.2 m)
3	65 ft. (19.8 m)	51 ft. (15.6 m)
4	63 ft. (19.2 m)	49 ft. (14.9 m)



## 5-YEAR LIMITED WARRANTY ALL PARTS COVERED

For a period from the date of original purchase through the time listed above, the designated parts that fail in normal commercial use will be repaired or replaced free of charge for the part itself, with the owner paying all other costs, including labor, transportation and customs duty. Chemical damage is excluded from all warranty coverage. See complete warranty for details.